

EASY-FIT - TM5897 (rev2)

BASIC INSTRUCTION

Important Note:

This unit is designed to operate a rolling shutter door by means of external push-button control. It should be installed by a competent person and in accordance with BS 7671.

Connection of the unit and the features selected by the installer should be chosen to provide maximum safety to property and personnel.

Features

- Sequential operation mode (*OPEN-STOP-CLOSE-STOP*) or Individual button control (*UP, STOP, DOWN*)
- Flashing light to show the door is operating or constant courtesy light (On time same as Run Time Length)
- Programmable run timer 5 - 100 sec's
- Connection for additional Safety Brake
- Dead-man operation in both directions or Impulse open / dead man close control

TECHNICAL DATA

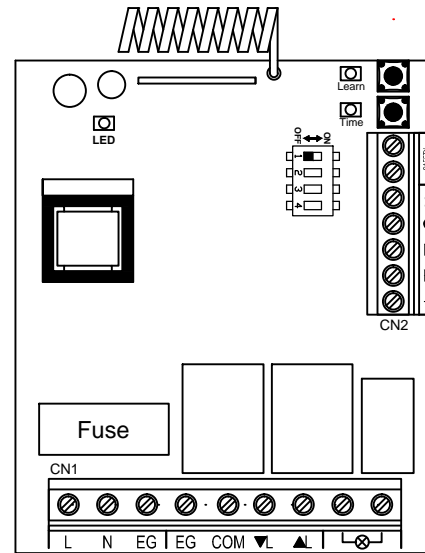
Power Supply	230 VAC	50Hz	
Max motor load	750 W	Working Temp	-20 to + 60°C
IP rating (Enclosure)	56		
Dimensions (in mm)	150 (l) x 100 (w) x 40 (h)		
Protection Fuse	F10A		
Control By	Membrane buttons, or External connection		
Complies to EN Standards	EN300220-1, EN301489-1, EN62479, EN60950-1		

Troubleshooting - Basic faults

Motor will not run

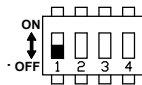
Check:

- Mains power supply present
- Fuse F1
- Green power LED is lit
- Link must be fitted to terminals 'com' and '■' unless a push button station fitted with a dedicated **N/C STOP button** is used
- Link must be fitted to '**SAFETY BRAKE**' connection if no safety brake is used
- DIP switches are correctly set for feature



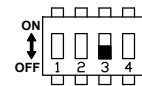
DIP switch functions

1. Motor running direction



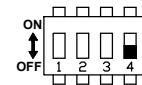
ON	Reverses direction to suit motor handing
OFF	Normal running direction

3. Light (230V AC)



ON	Flashing while running
OFF	On constant for duration of the run timer

4. Impulse / Dead man Mode



ON	Dead man OPEN / CLOSE
OFF	Impulse OPEN / Dead man CLOSE
OFF	***MUST BE OFF IF FIRE SIGNAL USED***

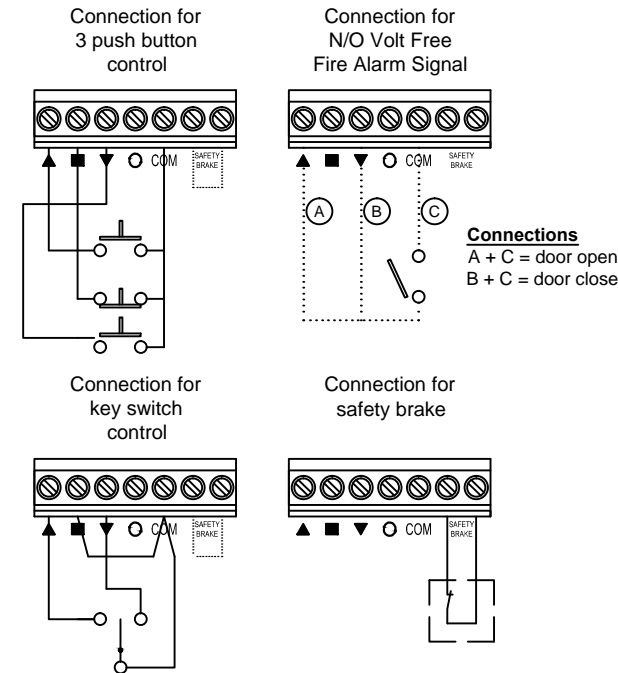
Run Timer

The unit has a programmable run timer 5 - 100 secs - this should be set as close as practical to the door travel

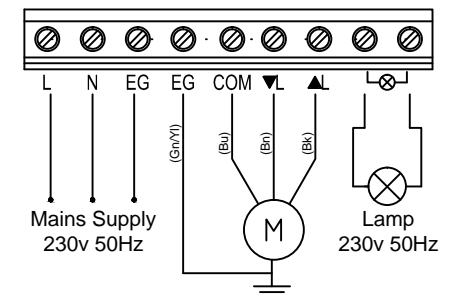
- Press and hold 'TIME' button
- 'Time' LED starts to flash
- Keep button preside for required time
- 1 flash = 1 sec
- For max (100s) press and hold 'Time' button
- Time LED flashes quickly

Connections

CN1		CN2	
L	Mains Supply - Live	▲	Open (N/O contact)
N	Mains Supply - Neutral	■	Stop (N/C contact)
EG	Mains Supply - Earth	▼	Close (N/O contact)
EG	Motor - Earth	○	Impulse (N/O contact)
COM	Motor - COM (neutral)	COM	Common
▼L	Motor - CLOSE	SAFETY BRAKE	Safety Brake
▲L	Motor - OPEN		
⊗	Light 230 VAC 40W max		



Mains supply, Motor Lamp connections



ELLARD

Ellard House, Floats Road, Wythenshawe,
Manchester M23 9WB

Tel: 0161 945 4561