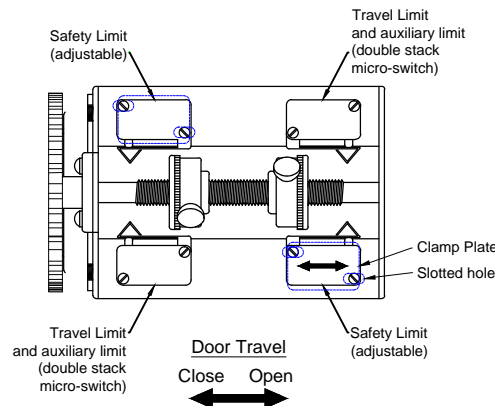
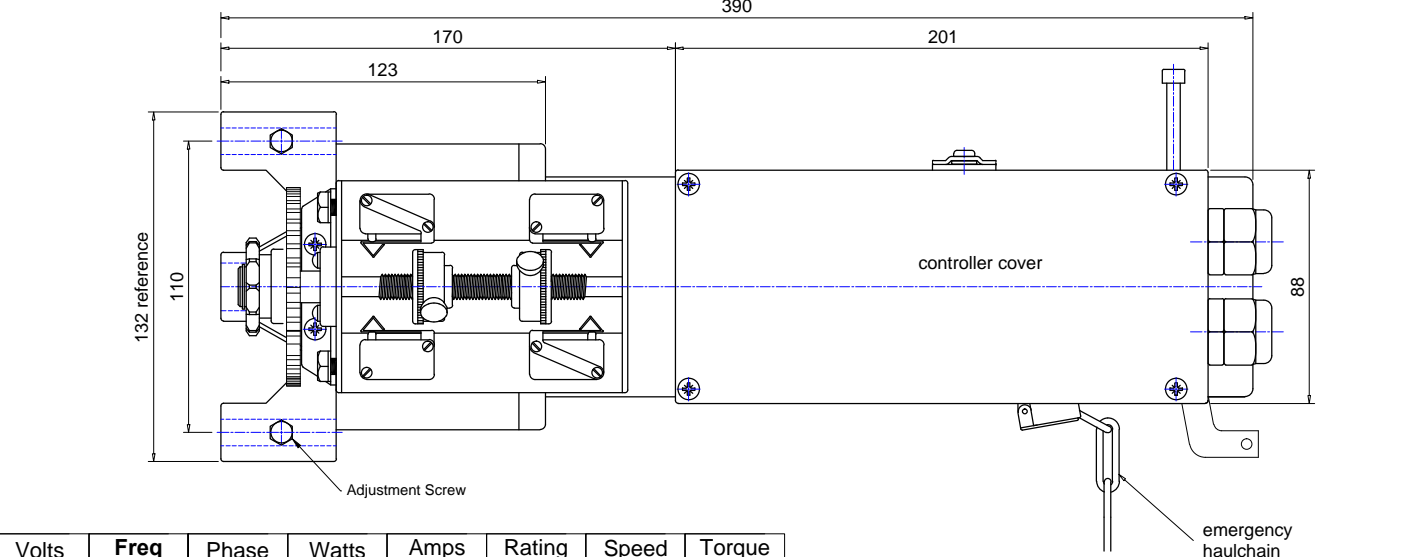
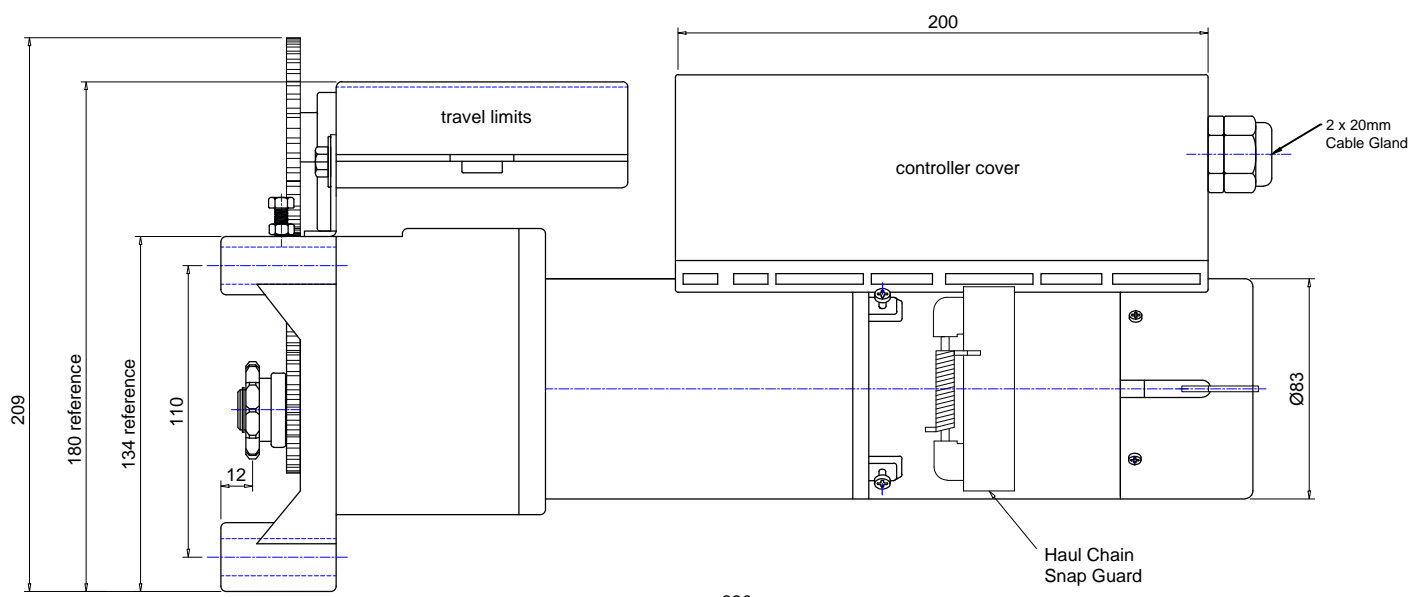


DETAIL OF PLATED STEEL HAULCHAIN



JM150 Limit Box Detail



| Volts (V) | Freq (Hz) | Phase (ph) | Watts (W) | Amps (A) | Rating (min's) | Speed (RPM) | Torque (Nm) |
|-----------|-----------|------------|-----------|----------|----------------|-------------|-------------|
| 415 | 50 | 3 | 120 | 0.72 | 10 | 34 | 30 |

This drawing is the property of ELLARD LTD, it may not be reproduced without the written authorization of Ellard Limited. All intellectual property rights are expressly reserved

ELLARD

Roundthorne Industrial Estate
 Ellard House, Floats Road
 Wythenshawe, Manchester
 M23 9WB
 Tel: 0161 945 4561, e-mail: technical@ellard.co.uk

Title

**JM200 (MONITORED PCB)
 GENERAL ARRANGEMENT (1)
 (L.H SHOWN)**

Rev/Notes

| | | | |
|-----------------|---|-----------------|----|
| <u>Date</u> | 01/07/2021 | | |
| <u>Drawn by</u> | DE | <u>Chk'd by</u> | AP |
| <u>Drg #</u> | JM200 (Monitored PCB) - General Arr (1) | | |